

1
2
3
4
5
6
7
8
9
10
11
12
13
14
15

A
B
C
D
E
F
G
H
I
J
K

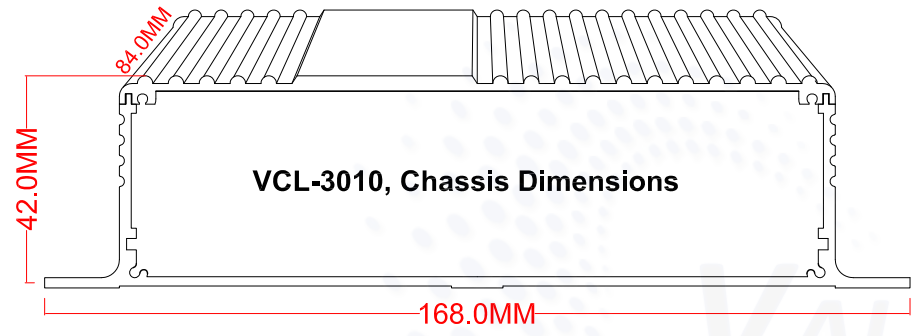
APPR.
CHECK
DATE
REVISION

The Drawing and any information or descriptive matter set out hereon are the confidential property of Valiant Communications and must not be disclosed, loaned, copied, used for manufacturing, tending or any other purpose without their written permission.

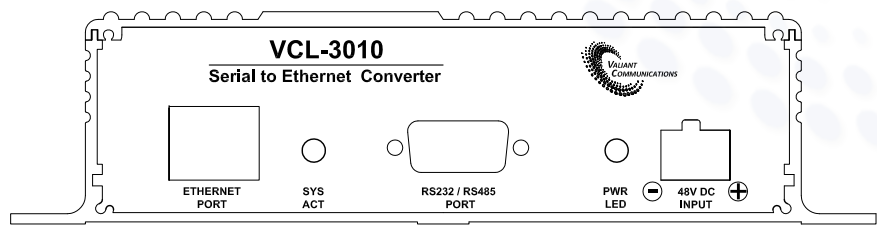
NAME
DATE
REVISION

Mechanical Drawing of VCL-3010, Serial to Ethernet Converter

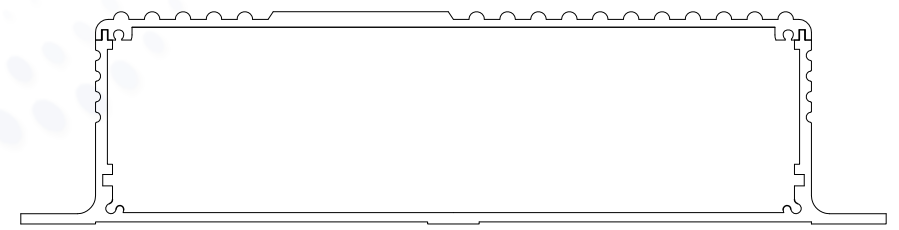
VCL-3010	
Mechanical Dimensions	
Width	168.0 MM
Height	42.0 MM
Depth	84.0 MM
Weight	.3kg



Front View



Rear View



Title: Mechanical Drawing of VCL-3010, Serial to Ethernet Converter



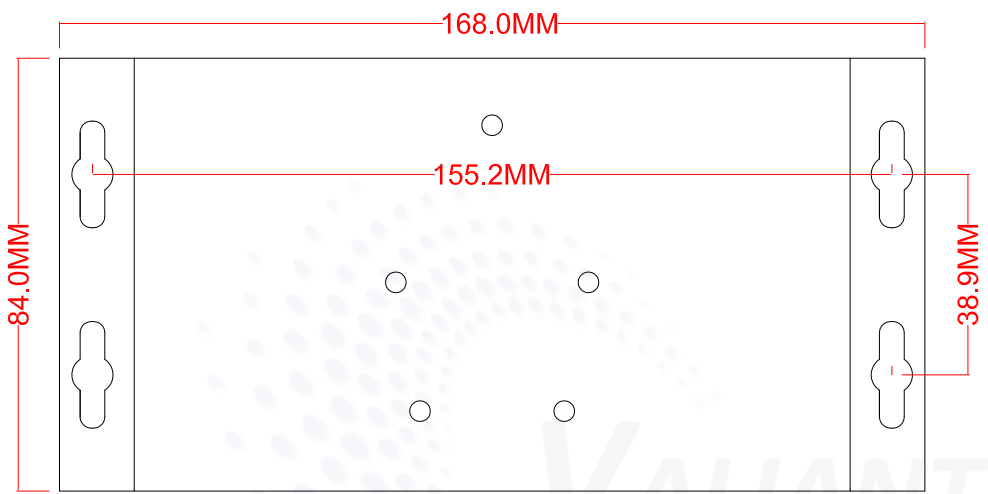
Drawing No:
EMD-3010/SEC/01

Date	Rev	Sheet	01
Nov 08, 2021	01	Next Sheet	02

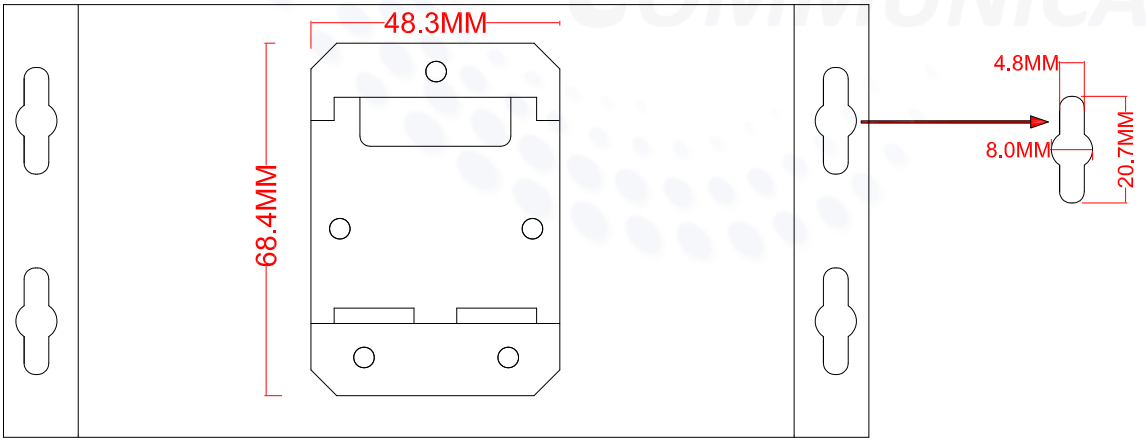
APPR. _____
 CHECK _____
 DATE _____
 REVISION _____
 NAME _____
 DATE _____
 REVISION _____

1 2 3 4 5 6 7 8 9 10 11 12 13 14 15

Mechanical Drawing of VCL-3010, Serial to Ethernet Converter



Bottom View



Bottom View with DIN Rail

VCL-3010 Bottom View	
Mechanical Dimensions	
Width	168.0 MM
Height	84.0 MM

Title: Mechanical Drawing of VCL-3010, Serial to Ethernet Converter



Valiant
Communications

Drawing No:
EMD-3010/SEC/02

Date	Rev	Sheet	02
Nov 08, 2021	02	Next Sheet	END