

1
2
3
4
5
6
7
8
9
10
11
12
13
14
15

A
B
C
D
E
F
G
H
I
J
K

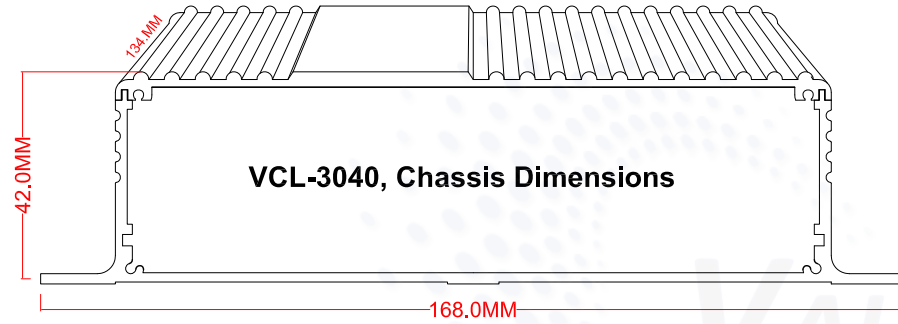
APPR.
CHECK
DATE
REVISION

NAME
DATE
REVISION

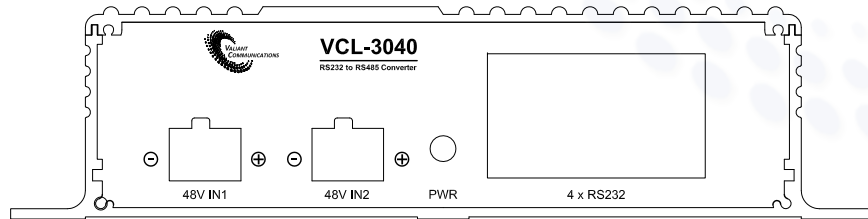
The Drawing and any information or descriptive matter set out hereon are the confidential property of Valiant Communications and must not be disclosed, loaned, copied, used for manufacturing, tending or any other purpose without their written permission.

Mechanical Drawing of VCL-3040, RS232 to RS485 Converter

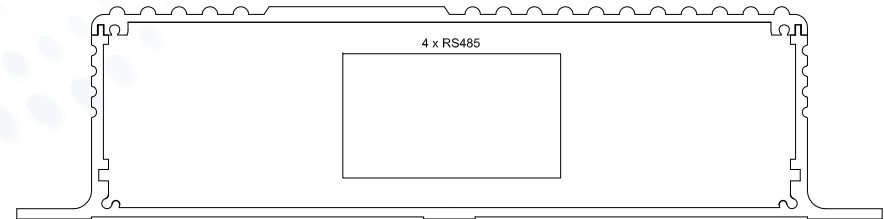
VCL-3040	
Mechanical Dimensions	
Width	168.0 MM
Height	42.0 MM
Depth	134.00 MM
Weight	.6kg



Front View



Rear View



Title: Mechanical Drawing of VCL-3040, RS232 to RS485 Converter



Valiant
Communications

Drawing No:
EMD-3040/CONV/01

Date	Rev	Sheet	01
Nov 25, 2021	01	Next Sheet	02

The Drawing and any information or descriptive matter set out hereon are the confidential property of Valiant Communications and must not be disclosed, loaned, copied, used for manufacturing, tending or any other purpose without their written permission.

	1	2	3	4	5	6	7	8	9	10	11	12	13	14	15	
A	Mechanical Drawing of VCL-3040, RS232 to RS485 Converter															
B													VCL-3040 Bottom View			
C													Mechanical Dimensions			
D													Width	168.0 MM		
E													Height	130.0 MM		
F																
G	Bottom View							Bottom View with DIN Rail								
H																
I																
J																
K	Title: Mechanical Drawing of VCL-3040, RS232 to RS485 Converter								 Valiant Communications		Drawing No: EMD-3040/CONV/02		Date Nov 25, 2021	Rev 01	Sheet Next Sheet	02 END