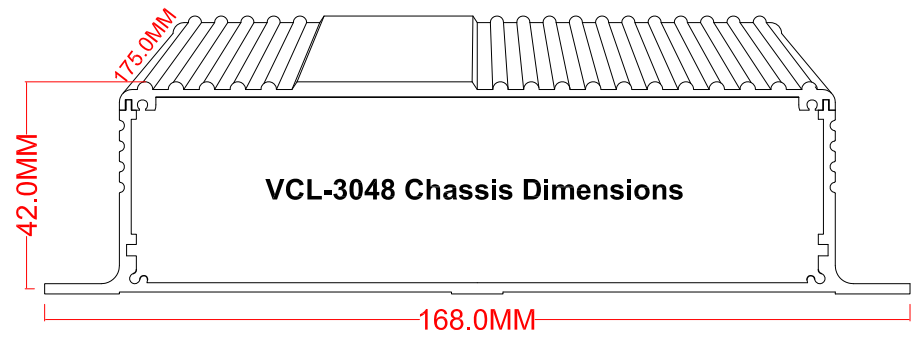


APPR. \_\_\_\_\_  
 CHECK \_\_\_\_\_  
 DATE \_\_\_\_\_  
 REVISION \_\_\_\_\_  
 The Drawing and any information or descriptive matter set out hereon are the confidential property of Valiant Communications and must not be disclosed, loaned, copied, used for manufacturing, tending or any other purpose without their written permission.  
 CHECK \_\_\_\_\_  
 CHECK \_\_\_\_\_  
 NAME \_\_\_\_\_  
 DATE \_\_\_\_\_  
 REVISION \_\_\_\_\_

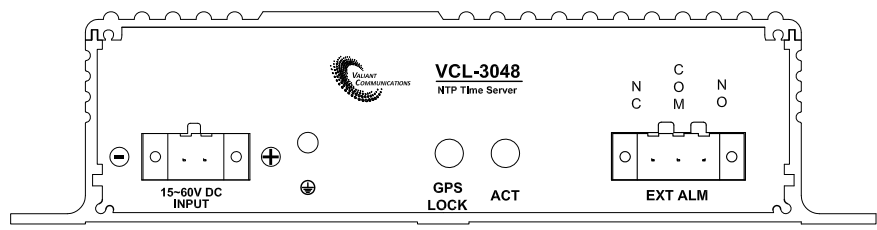
1 2 3 4 5 6 7 8 9 10 11 12 13 14 15

# Mechanical Drawing of VCL-3048 NTP Time Server

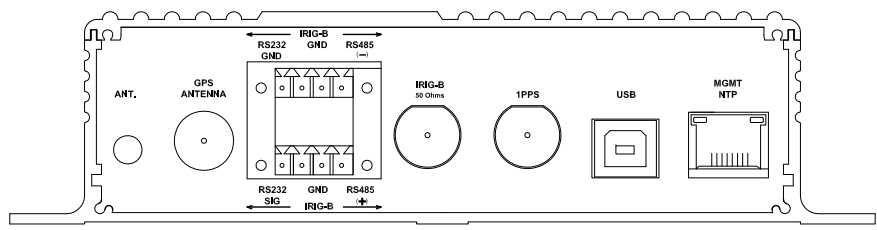


<b>VCL-3048</b>	
<b>Mechanical Dimensions</b>	
Width	168.0 MM
Height	42.0 MM
Depth	175.0 MM
Weight	0.7Kg

**Front View**



**Rear View**



**Title:** Mechanical Drawing of VCL-3048 NTP Time Server



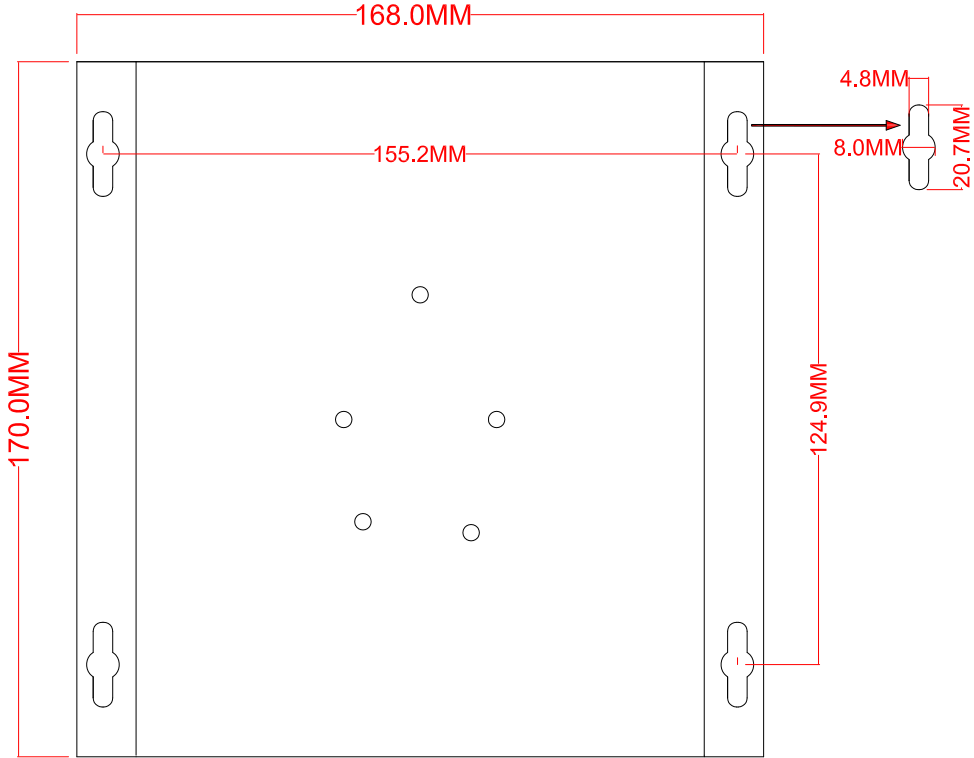
**Drawing No:**  
EMD-3048/NTP/002

Date	Rev	Sheet	01
Nov 09, 2022	02	Next Sheet	02

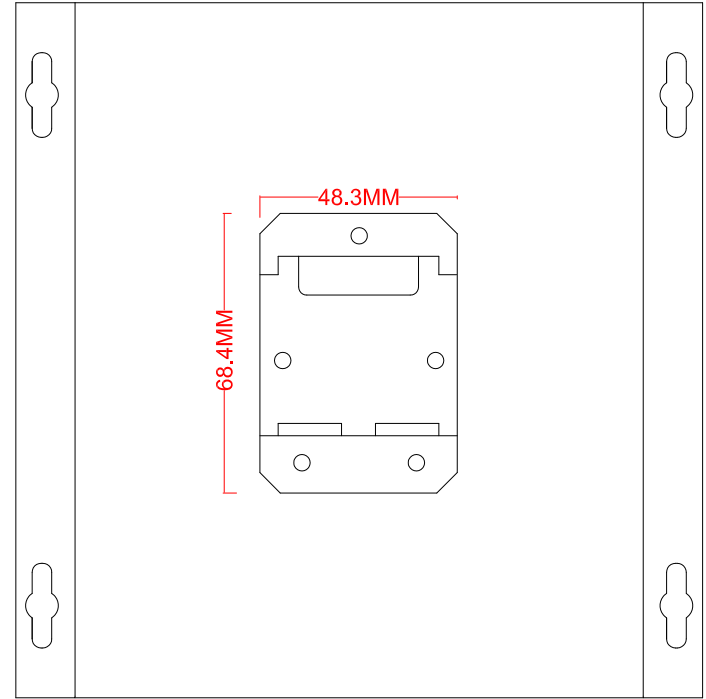
A  
B  
C  
D  
E  
F  
G  
H  
J  
K

# Mechanical Drawing of VCL-3048 NTP Time Server

VCL-3048 Bottom View	
Mechanical Dimensions	
Width	168.0 MM
Height	170.0 MM



**Bottom View**



**Bottom View with DIN Rail**

**Title:** Mechanical Drawing of VCL-3048 NTP Time Server (Bottom View)



**Valiant**  
Communications

**Drawing No:**  
EMD-3048/NTP/002

Date	Rev	Sheet	02
Nov 09, 2022	02	Next Sheet	END